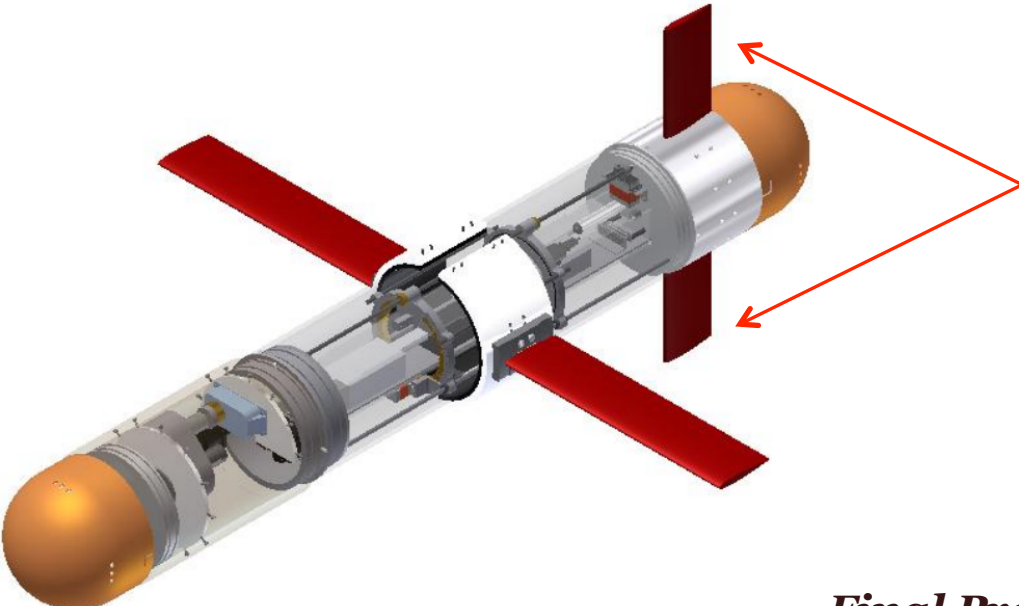
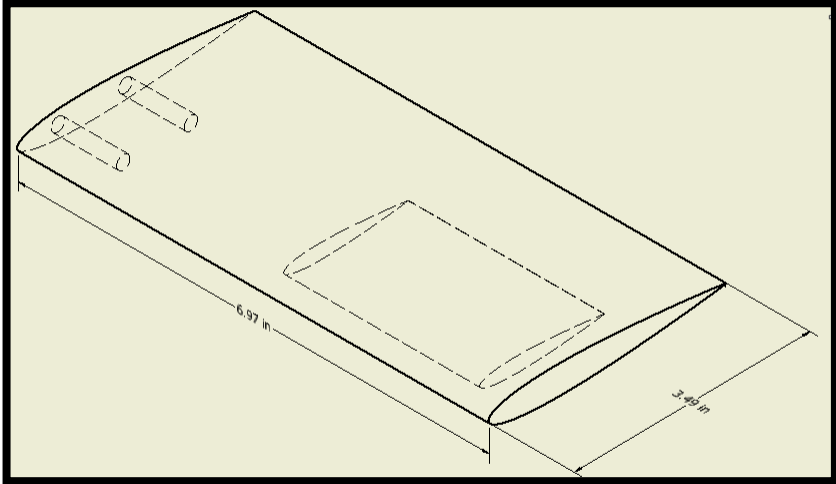


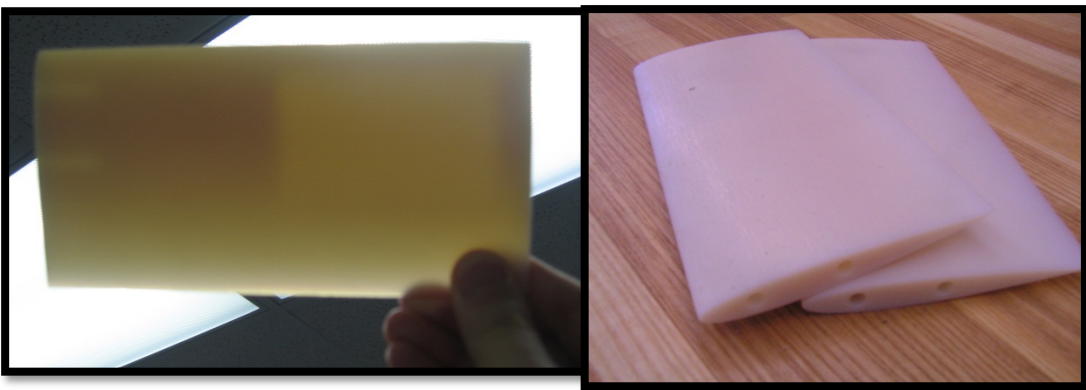
Virginia Tech Underwater Glider (VTUG) Team Vertical Stabilizers



Inventor Isometric View



Final Product



The stabilizers provide yaw stability and dampen roll for Prototype 0, the first prototype of VTUG. They were designed using the 3D printer to also be neutrally buoyant in water.